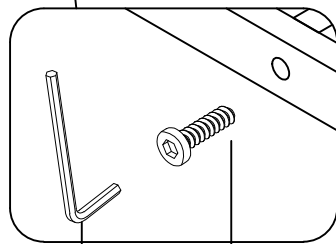
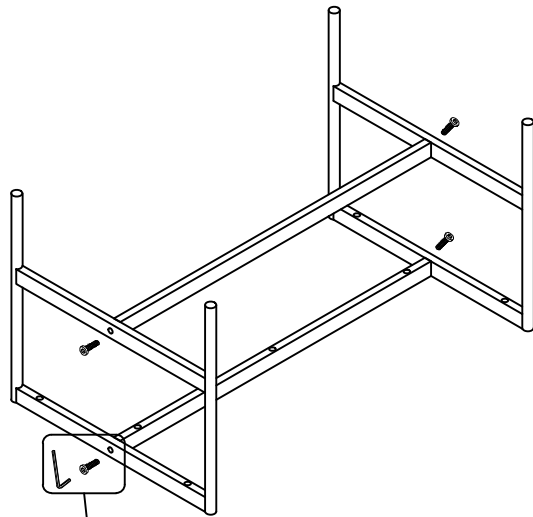


# ASSEMBLY INSTRUCTION

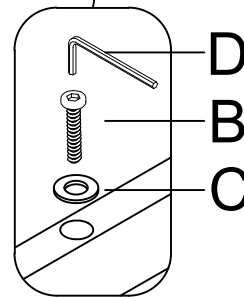
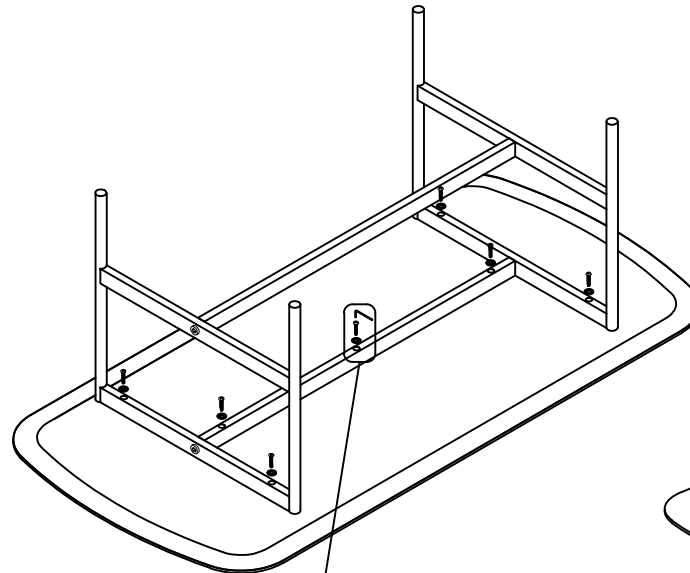
## STEP1



D

A

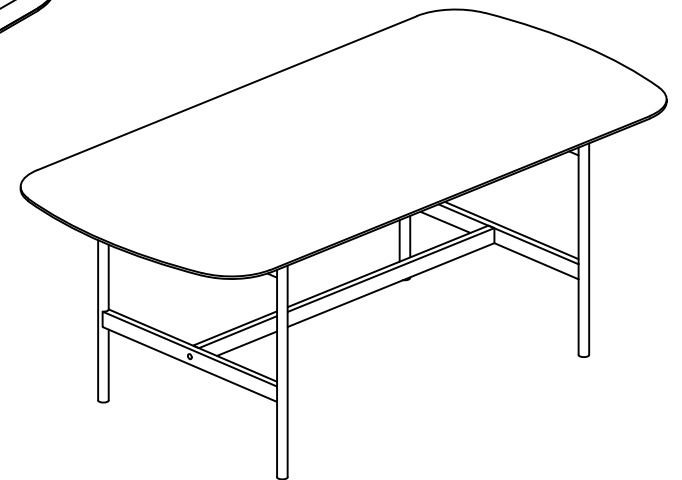
## STEP2



D

B

C



# B-3053

A



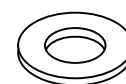
4pcs

B



7pcs

C



7pcs

D



1pc