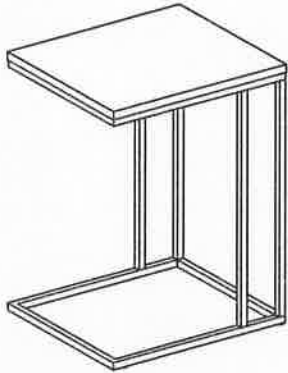


Assembly Instruction L30035

L30035



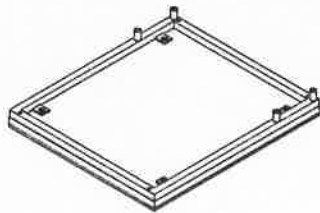
A. 4PCS
SIZE:M8*510



B. 6PCS
SIZE:Φ16 X 8



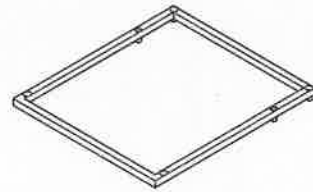
C. 1PCS
SIZE:M6



① x 1

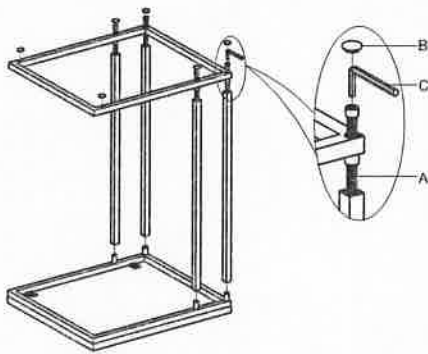


② x 4

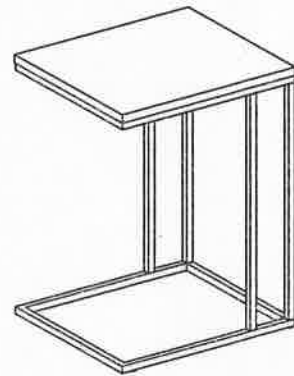


③ x 1

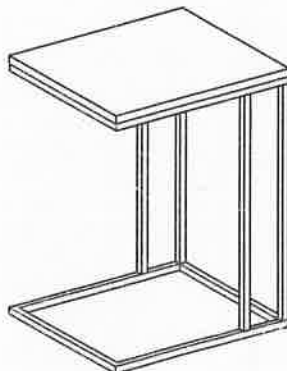
STEP
1



STEP
2



STEP
3



END

1/1